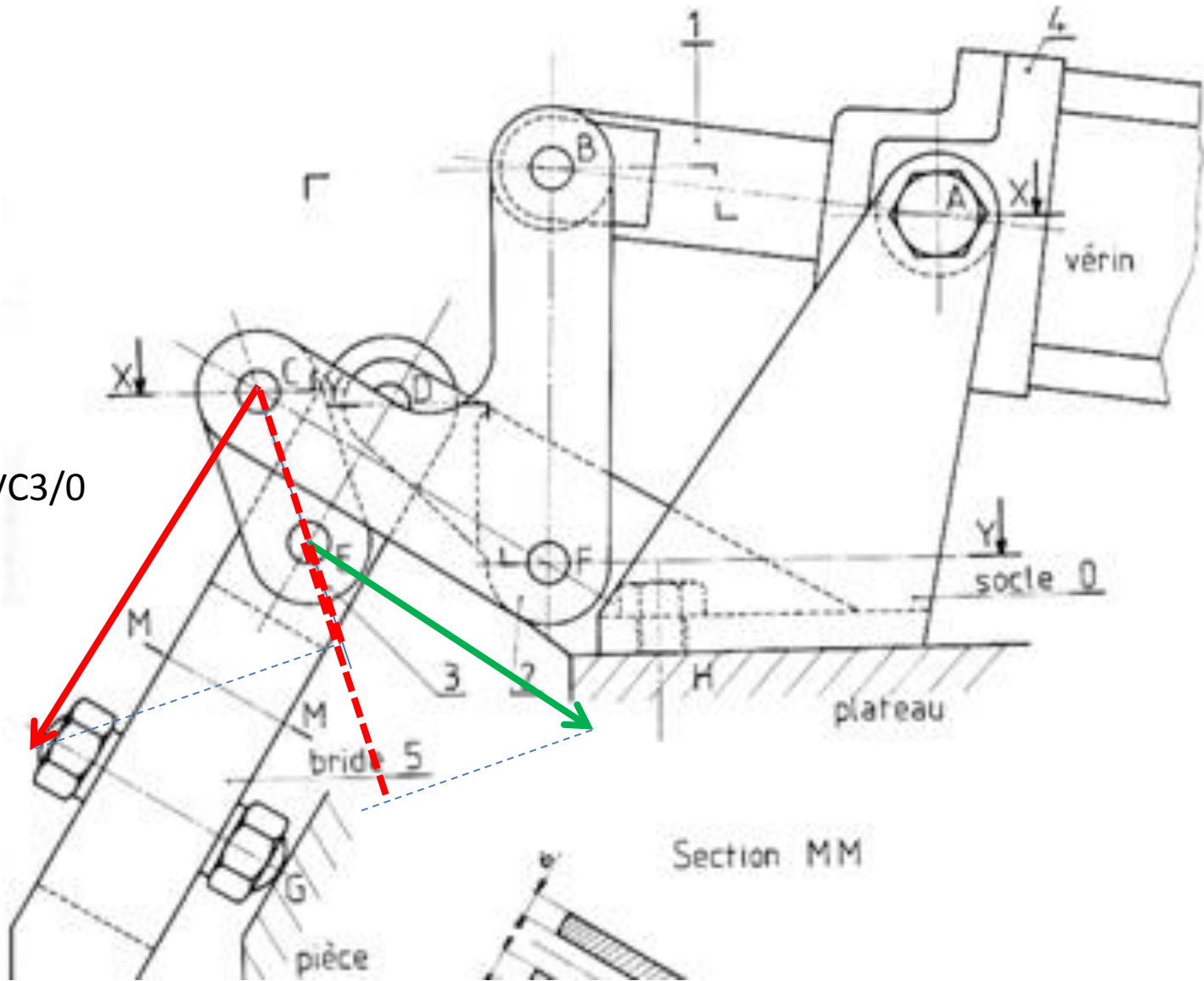


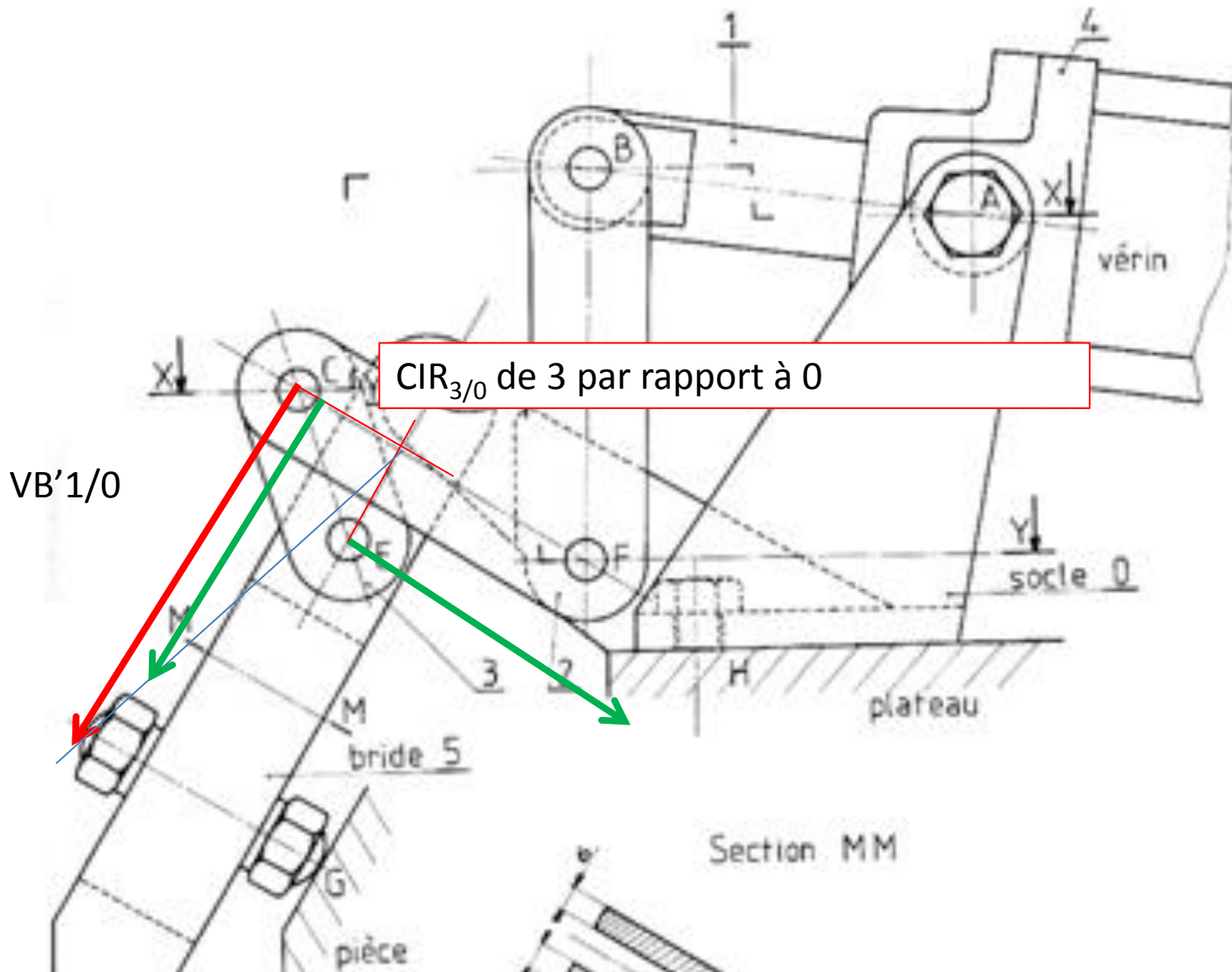
VB1/0

VB'1/0

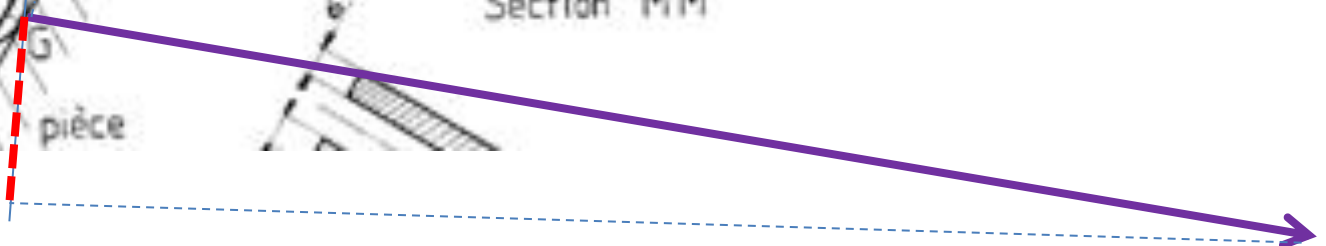
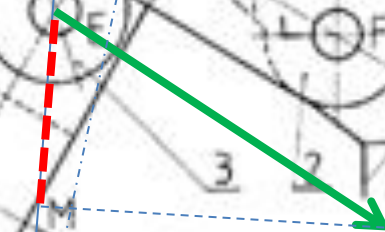
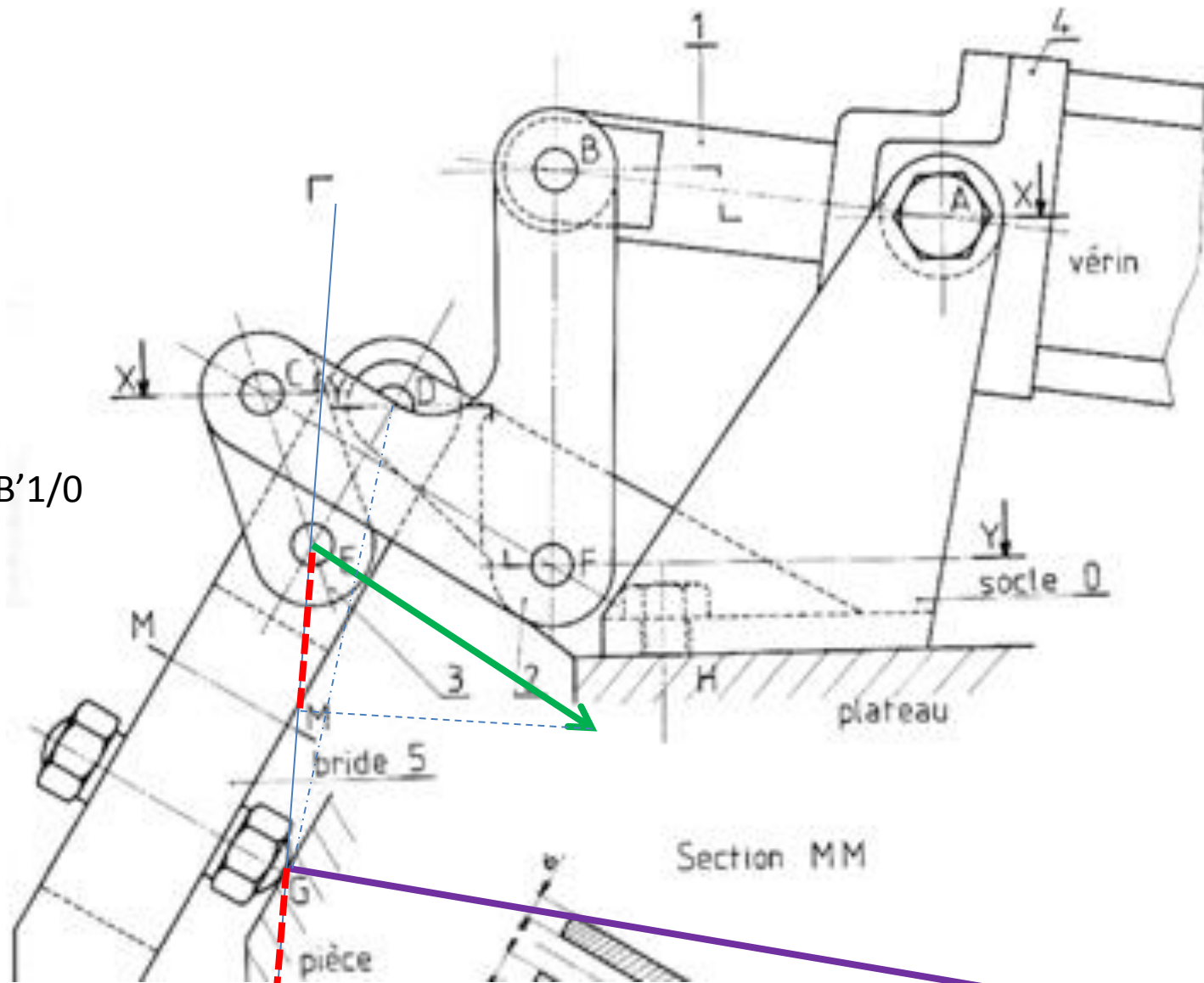
Section MM

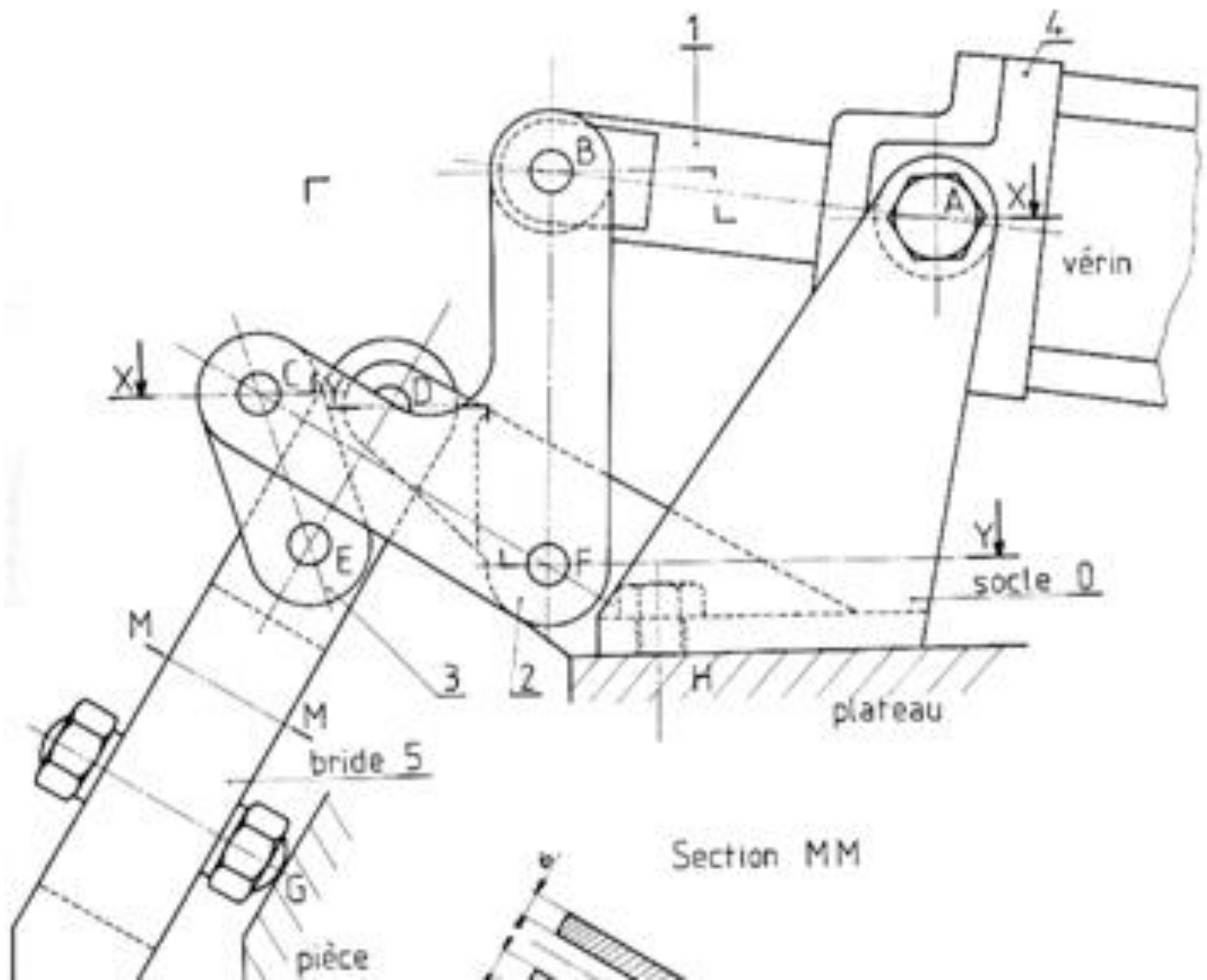
$$VC_{2/0} = VC_{3/0}$$





VB'1/0





Section MM